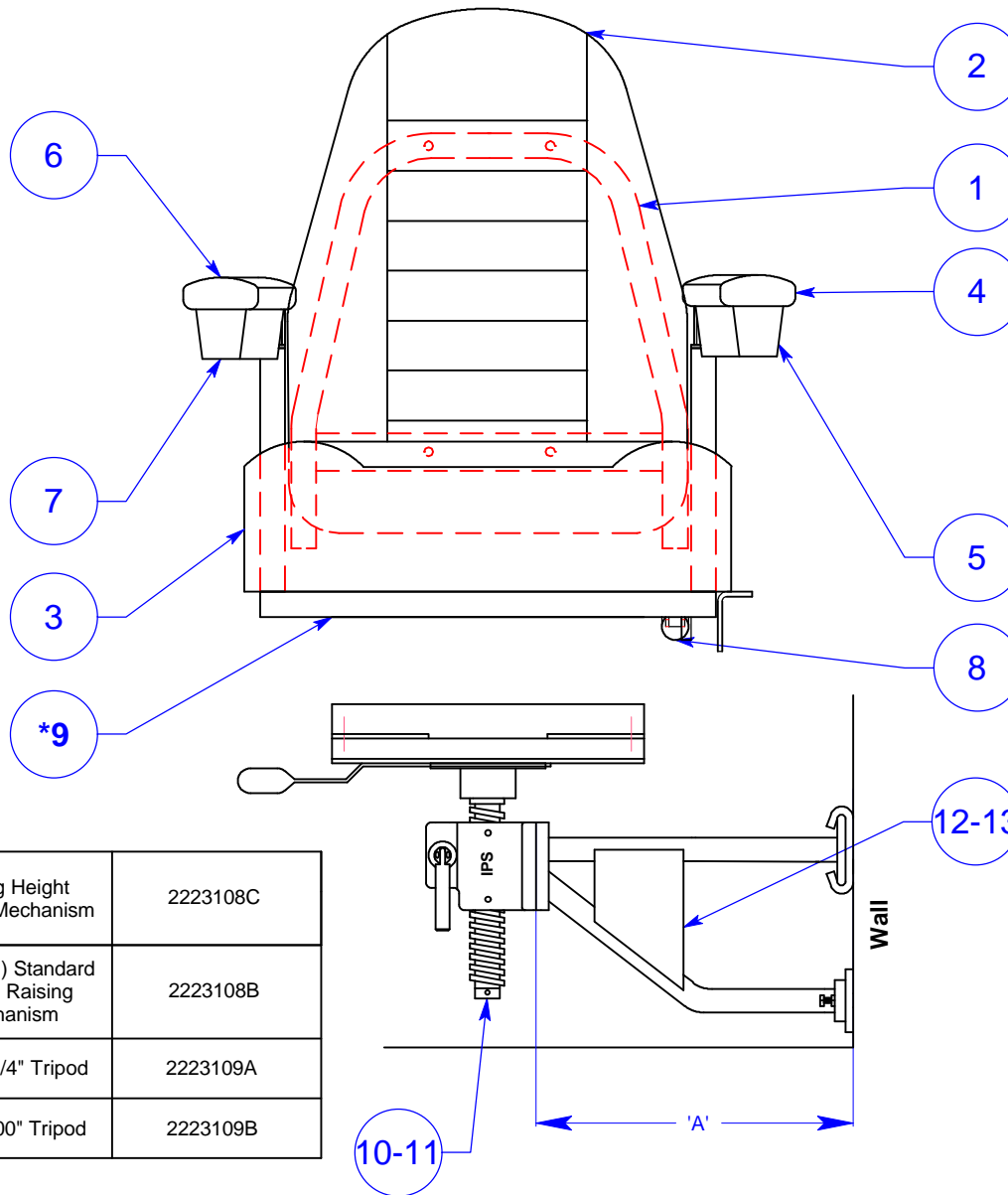



# HF-18R-IPS RECLINING CONDUCTOR/HELPER CHAIR ASSEMBLY



1	Seat Frame	2223162A-00
2	Back Cushion	2223166A
3	Seat Cushion	2223165A
4	L.H. Armrest Cushion	2223162A-02
5	L.H. Armrest Plastic Bottom	2223162A-04
6	R.H. Armrest Cushion	2223162A-01
7	R.H. Armrest Plastic Bottom	2223162A-03
8	Gas Cylinder	2223162A-14
*9	Seat Assembly	2223162A
Item *9 is the assembly of items #1 thru #8		

10	Sliding Height Raising Mechanism	2223108C
11	(Optional) Standard Height Raising Mechanism	2223108B
12	A = 11 1/4" Tripod	2223109A
13	A = 14.00" Tripod	2223109B

 <b>I.P.S.</b> INTER-PACIFIC SERVICES (1996) Ltd., MAPLE RIDGE, B.C. V2X 0T6 CANADA		
DATE JUNE 01/00	DRN. BY RSC	SHEET 02 OF 11 SHEETS
FILE NO. DWGS/ DIESEL CHAIR DWGS. / CHAIR CAT.	DWG. NO. IPS - 1462	REV